

DRAINAGE DRENO

submersible pump for drainage



clean water



muddy water

Max Head 8 - 21m

Max Flow 5 - 34m³/h

Motor Power 0.15 - 1.5Kw

Discharge size G1F/G2F



KEY ADVANTAGES OF A DRENO PUMP

APPLICATION

Dreno are submersible drainage pumps with their 5 mm spherical clearance they are the ideal solution to pump water from basements cellars sumps and collection tanks. Also suitable for pumping discharge from hand basins, showers and washing machines, for flood relief and water removal from water courses or reservoirs.

INSTALLATION

Permanent or transportable. Model with float switch control for automatic pump operation, depending on liquid level in the sump.

MATERIALS

Double seals, lip seals and reinforced carbon ceramic mechanical seal. Motor casing in stainless steel, 304 stainless steel open impeller, pump body in cast iron, 420 stainless steel shaft

PUMPED LIQUID

Clear water and drainage water containing soft solids up to 5 mm spherical clearance. Max. liquid temperature: 35°C.

MOTOR

Fully submersible, pressure tight electric motor. Stainless steel motor- and pump housing. Insulation class F. Motor protection IP 68. Thermal sensors imbedded in the motor winding.

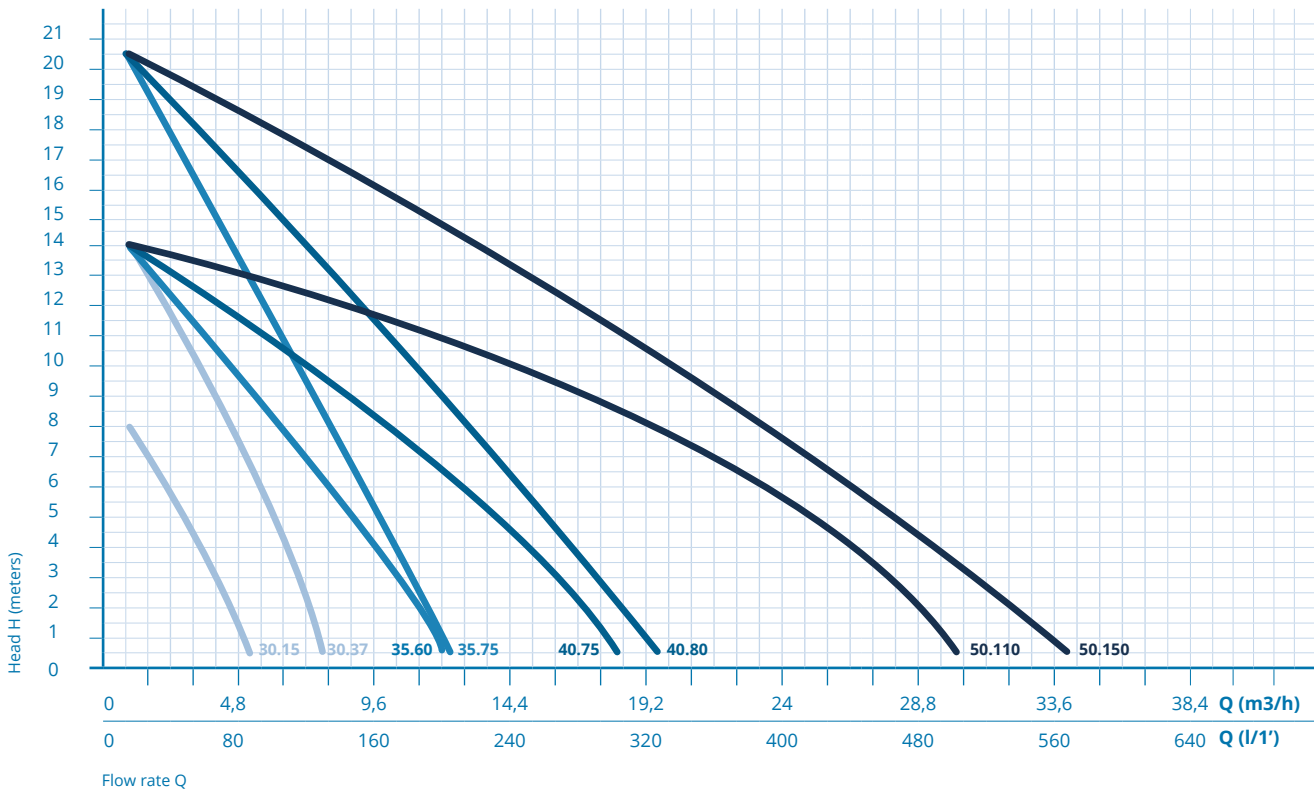
FEATURES

Power cable: 10 m neoprene.
Immersion depth of 10 m.

CHARACTERISTIC CURVES AND PERFORMANCE DATA

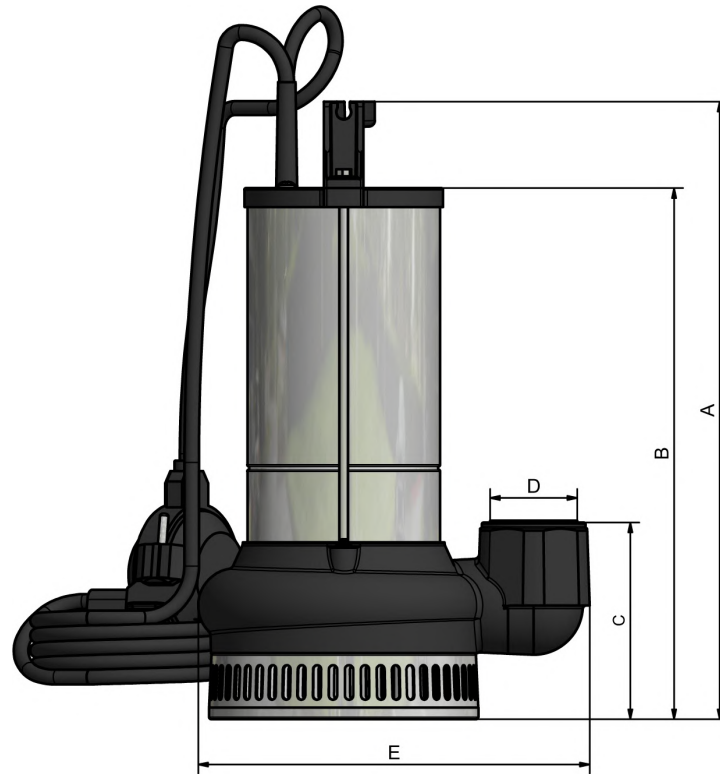
50 Hz

DRAINAGE
DRENO



TYPE	POWER kW	I(A)		PORT DN	Q m³/h	Q (l/min)																		
		1x230	3x400			0	1,5	3	4,5	6	7,5	10,5	12	15	18	21	24	27	30					
R 30.15	0,15	2,9	1,1	1"		8	6,7	4,9	2,7															
R 30.37	0,37	3,4	1,3			14	12,6	10,6	8,1	5,2	1,7													
R 35.60	0,6	4,0	1,8	1 1/4"		14	12,9	11,7	10,4	9	7,5	4,2	2,4											
R 35.75	0,75	5,4	2,6			21	19	16,9	14,6	12,3	9,7	4,3	1,3											
R 40.75	0,75	5,0	2,6	1 1/2"	H- meters	14	13,3	12,7	11,9	11,1	10,2	8,1	6,9	4,4	1,5									
R 40.80	0,8	7,8	3,0			21	19,6	18,2	16,7	15,2	13,7	10,6	9	5,7	2,3									
R 50.110	1,1	8,5	3,0	2"		14	13,6	13,4	13,2	12,9	12,5	11,7	11,3	10,2	8,9	7,4	5,7	3,8	1,7					
R 50.150	1,5	8,8	4,0			21	19,9	19,2	18,5	17,7	17	15,4	14,6	13	11,3	9,5	7,7	5,9	3,9					

DIMENSIONS AND WEIGHT



TYPE	DIMENSIONS (mm)					WEIGHT Kg	PALETTE Un
	A	B	C	ØD	E		
R 30.15	289,5	239,5	91	1"	136	8,9	60
R 30.37	299,5	249,5	—	—	—	9,1	
R 35.60	332	283	99	1¼"	218	11,0	
R 35.75	342	293	—	—	—	11,5	
R 40.75	347	298	114	1½"	227	12,0	
R 40.80	357	308	—	—	—	12,5	
R 50.110	400	352	125	2"	258	16,0	54
R 50.150	410	362	—	—	—	17,0	