



YOUR PUMPING SOLUTION

SURFACE PRESSURE CHS

surface pump multistage



clean water



domestic use

Max Head 21 - 88m

Max Flow 3.9 - 22m³/h

Motor Power 0.37 - 3Kw

Discharge size G1- 1½ F

DN 1" - **CHS 3, CHS 5**

DN 1" ¼ - **CHS 8**

Asp. 2" - Disch. 1"½ - **CHS 16**



KEY ADVANTAGES OF A CHS PUMP

APPLICATION

CHS pumps are suitable for use with clean water. These pumps are widely used in domestic applications such as the distribution of water in combination with small and medium sized pressure tanks, and for the irrigation of gardens and orchards, etc.

INSTALLATION

The pump should be installed in an enclosed environment or sheltered from inclement weather.

MATERIALS

Pump body in and impeller in stainless steel (AISI304). Shaft in stainless steel (AISI 416). Diffusor in noryl with fiber-glass.

PUMPED LIQUID

Clean water.

Max. liquid temperature: 35°C.

MOTOR

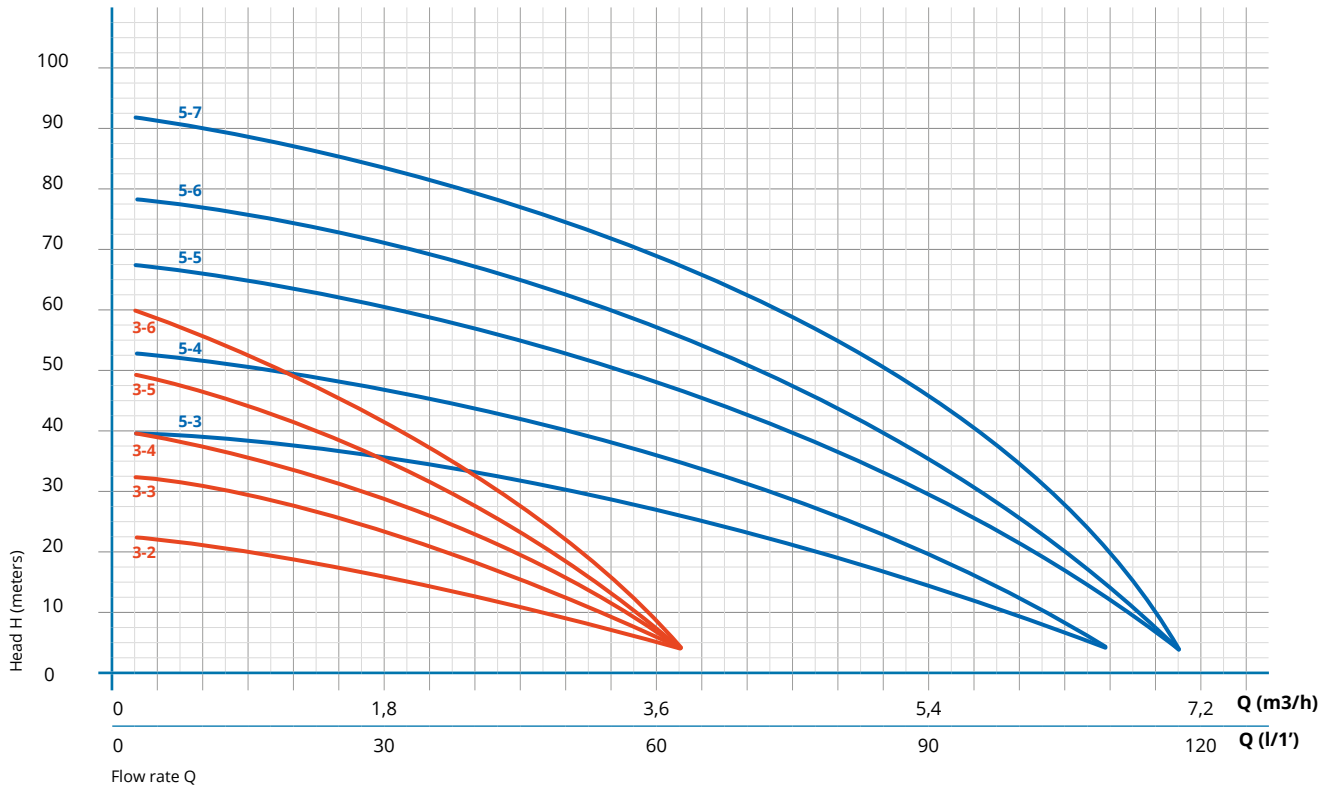
Externally ventilated. Mechanical seal (carbon-graphite). Protection IP44. Class F insulation.

FEATURES

Max. starts/hour: 30

CHARACTERISTIC CURVES AND PERFORMANCE DATA

50Hz

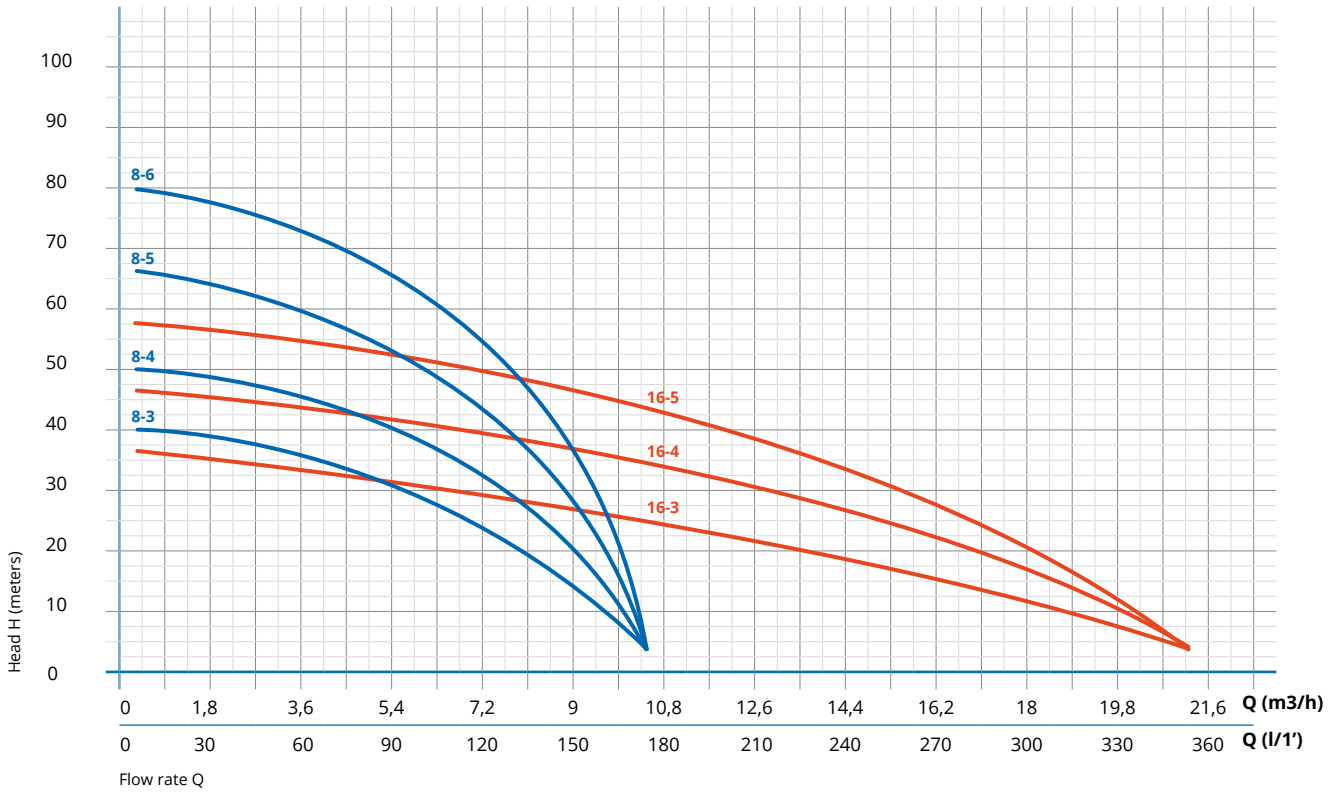


TYPE	POWER kW	MOTOR			PORT DN	Q m³/h																
		1~ A	1~ µF	3~ A		0	0,6	1,2	1,8	2,4	3	4,5	5,7	9	10,5	12	15	18	19,8			
						Q (l/min)																
						0	10	20	30	40	50	75	95	150	175	200	250	300	330			
CHS 3-2	0,37	2,2	10	1,1	1"	H - meters	21	20	18	15	12	7										
CHS 3-3		2,6	12	1,2			32	30	27	23	18	11										
CHS 3-4	0,6	3,45	14	1,4			40	37	33	28	22	14										
CHS 3-5		3,9	18	1,6			50	46	41	34	26	17										
CHS 3-6	0,9	4,9	20	1,9			60	55	49	41	31	20										
CHS 5-3	0,75	4,2	16	1,8			38	37	36	35	33	29	19	10								
CHS 5-4	0,8	5,4	16	2,3			52	51	48	46	43	39	27	15								
CHS 5-5	1,2	7,2	20	2,8			67	65,5	63	59	56	51	39	24								
CHS 5-6		7,8	25	3,5			78	76,5	74	71	67	62	46	29								
CHS 5-7		8,6	25	3,8			91	89	86	84	80	75	59	39								

SURFACE PRESSURE
CHS

CHARACTERISTIC CURVES AND PERFORMANCE DATA

50 Hz

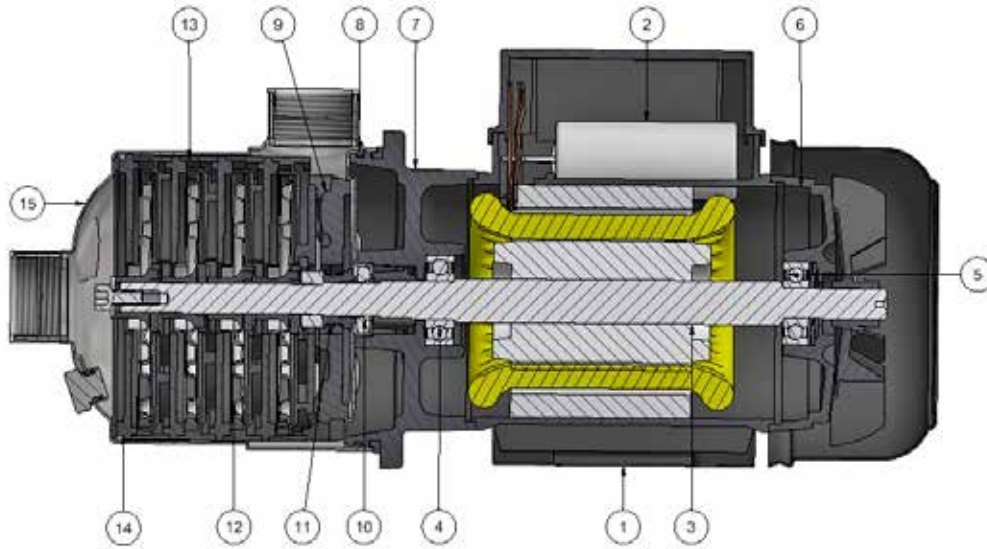


TYPE	POWER kW	MOTOR			PORT DN	Q m³/h l/min	0	0,6	1,2	1,8	2,4	3	4,5	5,7	9	10,5	12	15	18	19,8
		1~ A	1~ μF	3~ A			0	10	20	30	40	50	75	95	150	175	200	250	300	330
CHS 8-3	0,9	7	25	3,3	1"¼	H - meters	40	39,5	39	38	37	36	32	28	13,5	4,5				
CHS 8-4	1,1	9	35	3,5			50	49,5	49	48,5	48	47	43	39	20	7,5				
CHS 8-5	1,5	11,8	40	4,2			66	65,5	65	64	63	62	57	52	28	11				
CHS 8-6		12,4	50	5			81	80,5	79,5	78	76	75	69	63	36	14,5				
CHS 16-3	2,2	11	40	3,6	1"½		36	35,5	35	34,5	34	33	32	30	26	24	22	16	10	6
CHS 16-4		12	40	4,2			46	45,5	45	44,5	44	43	42	40	35	33	30	24	15	9
CHS 16-5	3	-	-	6			57	56,5	56	55,5	55	54	53	50	44	41	38	30	22	13

SURFACE PRESSURE
CHS

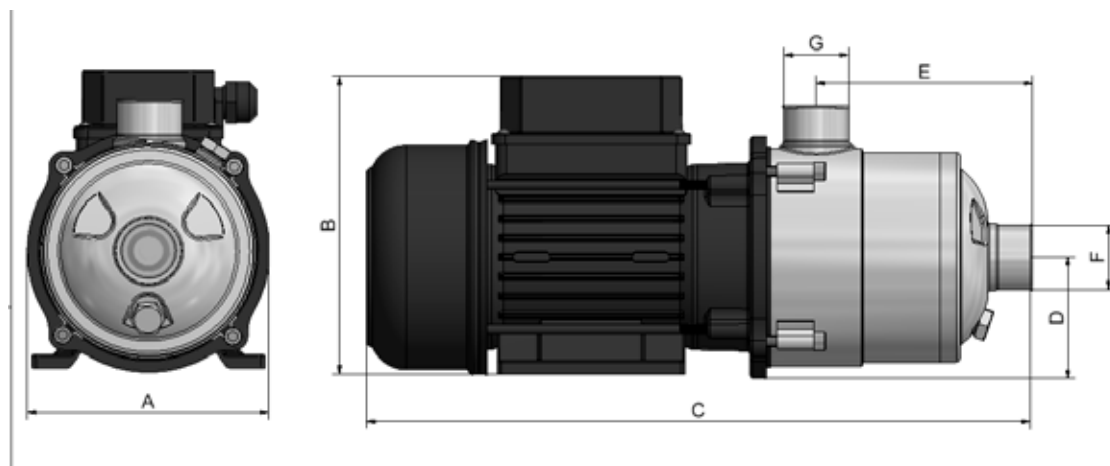


COMPONENTS AND MATERIALS



POS	COMPONENT	MATERIALS
1	Stator on Casing	-
2	Capacitor	-
3	Rotor / Shaft	Steel and Aluminium / Stainless Steel
4	Bearing	Steel
5	Bearing	Steel
6	Cover	Aluminium
7	Intercalate	Aluminium
8	Disc	Stainless Steel
9	Initial Diffuser	Noryl
10	Mechanical Seal Fixe	Nitrile Rubber / Ceramics
11	Mechanical Seal Mobile	Graphite Steel
12	Impeller	Stainless Steel
13	Diffuser Lid Welded	Noryl
14	Diffuser Cover	Noryl
15	Pump Body	Stainless Steel

DIMENSIONS AND WEIGHT



TYPE	DIMENSIONS (mm)						WEIGHT Kg	PALETTE Un	
	A	B	C	D	E	F			
CHS 3-2	126	160	322	63	80	1"	1"	5,1	100
CHS 3-3			340		98			5,4	
CHS 3-4			357		115			6,0	
CHS 3-5			375		133			6,0	
CHS 3-6			393		151			6,1	
CHS 5-3	155	179	353	71	107	1"	1"	9,3	75
CHS 5-4			372		127			9,8	
CHS 5-5			390		146			10,5	
CHS 5-6			410		165			11,2	
CHS 5-7			430		185			12,6	
CHS 8-3	191	212	412	80	121	1 1/4"	1 1/4"	12,1	45
CHS 8-4			436		150			12,7	
CHS 8-5			460		170			14,4	
CHS 8-6			485		195			15,5	
CHS 16-3	193	212	461	80	176	2"	1 1/2"	14,3	40
CHS 16-4			500		215			16,5	
CMH 16-5			565		131			20,6	



CATALOG '20

Rua da Tapadinha, nº 362
4520-460 Rio Meão
+ 351 256 181 301
info@oliju.com

www.oliju.com

Rev. 01.20

