

# SEWAGE MC

## Submersible Pump for Sewage Water

### USE :

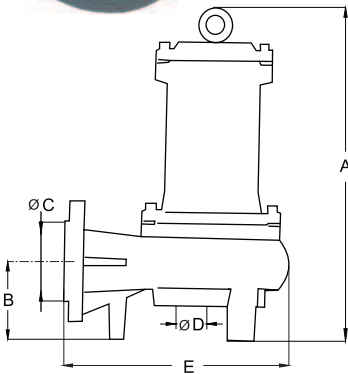
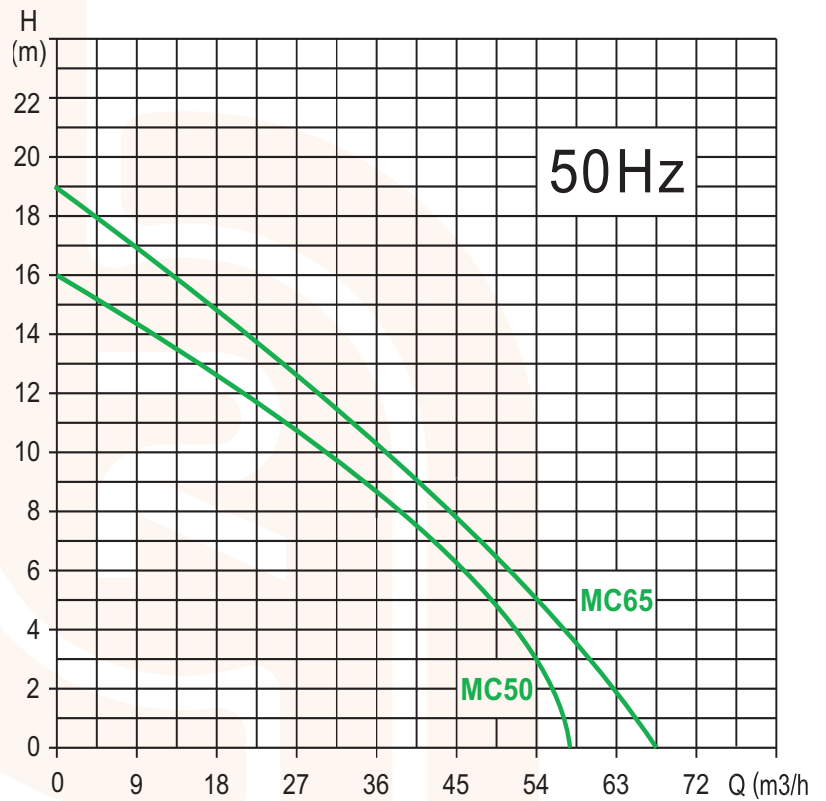
Pumping of sewage and industrial water  
The impeller single channel allows the passage of solids and reduces the risk of clogging  
Particle diameter: 50 mm for MC 50 and 65 mm for the MC 65  
Immersion depth of 10 m

### FEATURES :

Casing and pump body in special cast iron, cast iron wheel single-channel  
Motor shaft in stainless steel AISI420  
Engine oil bath, insulation class F. 20 m power cable neoprene  
Double seals, lip seals and reinforced carbon ceramic mechanical seal



## Single-channel impeller



Type	Dimensions (mm)					Weight Kg
	A	B	øC	øD	E	
MC 50.220	511	116	DN 65	DN 50	340	45
MC 65.300	511	116	DN 65	DN 65	340	46

Type	Tension	Power		Motor		Passage	H (max)	Debit (max)	Code
	V	kW	CV	A	µF	DN	m	m³/h	
MC 50.220.3	3 x 400	2,2	3,0	4,2	-	50	16	58	01330001
MC 65.300.3	3 x 400	3,0	4,0	4,8	-	65	19	60	01010992

**USE :**

The guide rail facilitate maintenance operations, allowing you to remove the pump without draining the tank

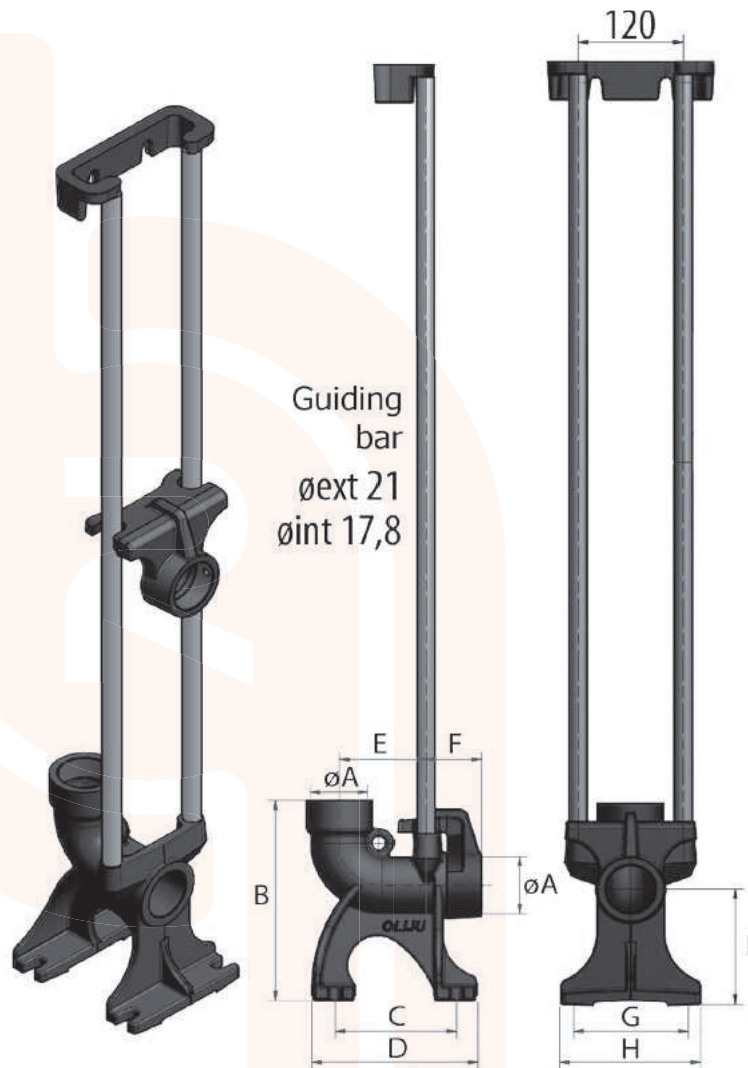
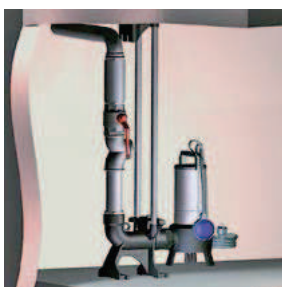
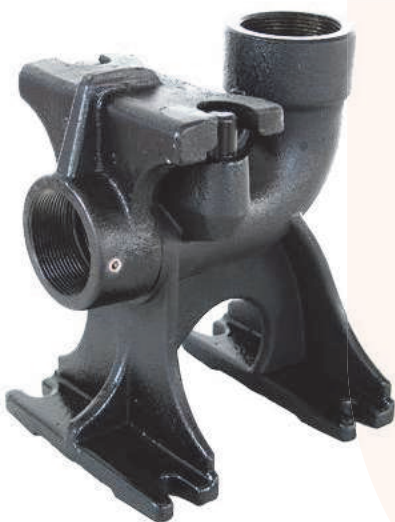
**FEATURES :**

Cast iron  
rubber seals

**For pumps  
horizontal  
outlet**

**Guide rail**

*Guide*



Type	Dimensions (mm)								
	ø A	B	C	D	E	F	G	H	I
<b>Guide Rail 50</b>	2"	235	140	190	100	63,5	130	160	135
<b>Guide Rail 65</b>	2" ½	285	166	220	119	68	150	180	165
<b>Guide Rail 80</b>	3"	298	174	229	119	68	180	210	175

Type	Code
<b>Guide Rail 50</b> (without the guide bars) for sewage pumps <b>passage ø 50</b>	<b>01950934</b>
<b>Guide Rail 65</b> (without the guide bars) for sewage pumps <b>passage ø 65</b>	<b>01950935</b>
<b>Guide Rail 80</b> (without the guide bars) for sewage pumps <b>passage ø 80</b>	<b>01950957</b>